



CITY OF CLEVELAND

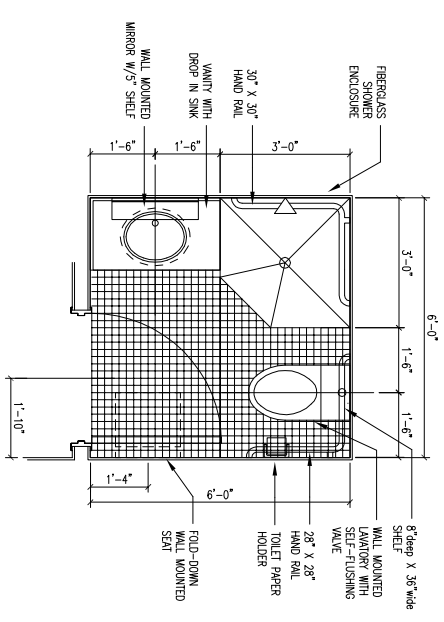
GATEWAY BIKE STATION

PROPOSAL SCHEME FOUR



PROPOSED FLOOR PLAN

SCALE: 1/4" = 1'-0"



TYPICAL SHOWER/TOILET ROOM FLOOR PLAN

SCALE: 1/2" = 1'-0"

Division of Architecture
 Cleveland City Hall
 601 Lakeside Avenue
 Room 517
 Cleveland, Ohio 44114
 Phone: 216 664-2374
 Fax: 216 664-4220



MARCH 23, 2009